

General Description

The tmcdc XGV0901 is a 0.9 inch XGA reflective type LCOS (liquid crystal on Silicon) microdisplay device. The liquid crystal is vertically aligned. This VA mode makes XGV0901 higher contrast ratio and faster response time. To maximize the light output, the display chip offers a pixel pitch of $17.6 \mu\text{m}$ and geometric ratio of 92%.

Features

- * Front end and back end processed in 3.3/18V double poly four metal $0.35 \mu\text{m}$ CMOS technology
- * Vertical liquid crystal alignment
- * Analog video data input
- * 4-fold parallelism in column driver
- * Bidirectional 3.3V shift registers in both column and row drivers
- * Low power level shifting
- * Redundant row drivers
- * Digital inputs 3.3V CMOS compatible
- * 8-bit video data per color
- * 32 extra pixels both horizontal and vertical for image alignment

Taiwan Micro Display Corp.

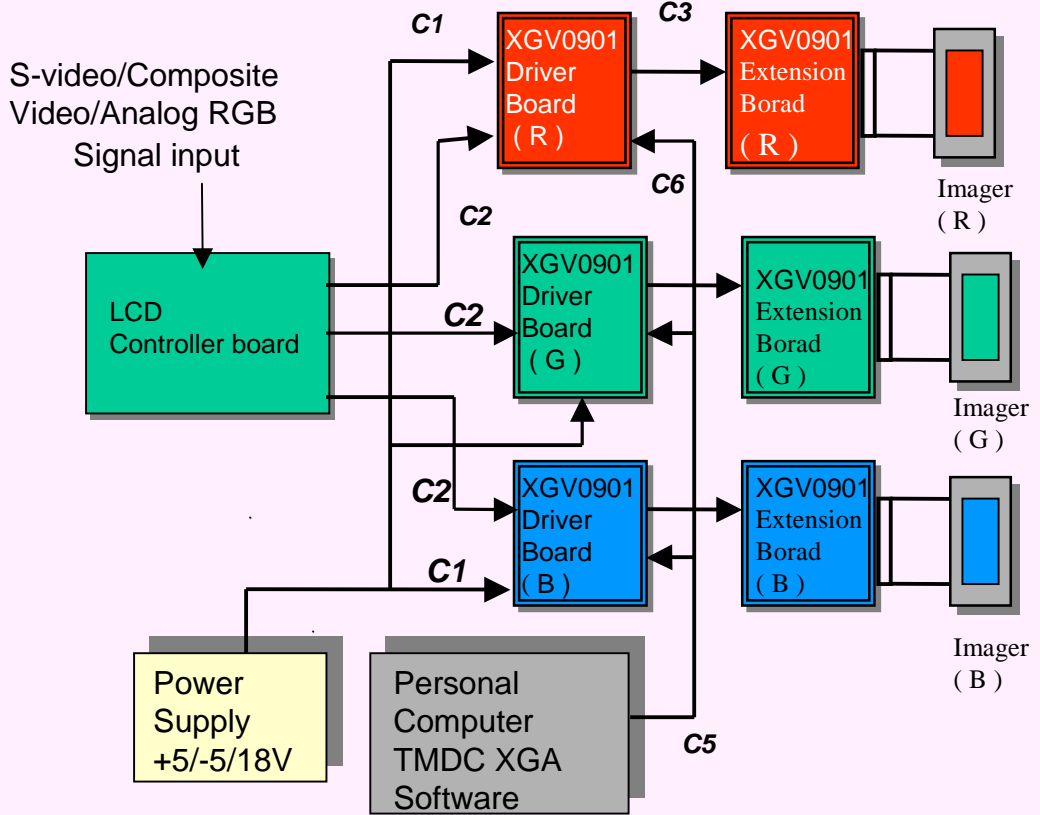
195-89 Chung Hsing Road, Sec.4, Chutung, Hsinchu 310, Taiwan

Tel: +886-3-5910198

Fax: +886-3-5910201

E-mail: ks_teng@tmcdc.com.tw

XGV0901 LCOS microdisplay evaluation kit block diagram



The connection of XGV0901 LCOS microdisplay evaluation kit

