



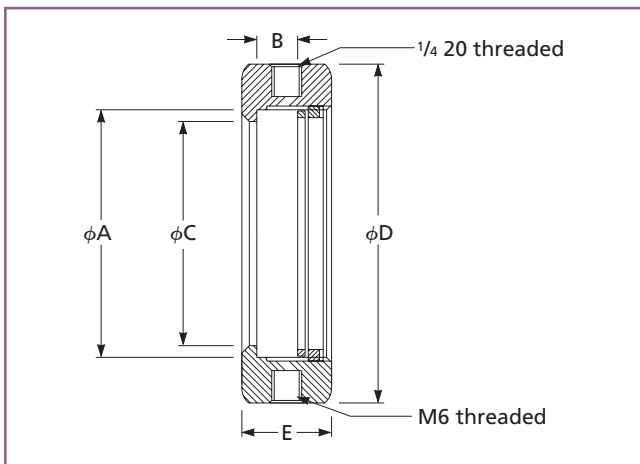
Available in:  
 ✓ Production Quantities  
 ✓ Custom Sizes

# Lens Holders

## Fixed Lens Holders

Fixed lens holders are a convenient way to secure optics for post mounting. Appropriate posts can be ordered from Chapter 26, *Posts, Pillars, Bases, & Adaptor Plates*.

- These lens holders are ideal for mounting optics from 10 mm to 153 mm in diameter.
- The lens is protected from the retaining ring by a delrin washer.
- Nominal lens diameter is labeled on all holders and adaptors.
- These holders are made from black anodized aluminum.



07 LHF lens holder

## Standard Diameter Lens Holders

Nominal Lens Diameter	Maximum Edge Thickness	Clear Aperture	$\phi D$	E	PRODUCT NUMBER
$\phi A$ (mm)	B (mm)	$\phi C$ (mm)	(mm)	(mm)	
10	6	7	35	12	07 LHF 001
12.7	10	10	35	16	07 LHF 002
25.4	12	21.5	45	18	07 LHF 007
30	12	26	55	18	07 LHF 009
38.1	12	34	60	18	07 LHF 013
40	12	36	65	18	07 LHF 014
50	12	45	70	21	07 LHF 018
50.8	12	46	70	21	07 LHF 019
76.2	14	70	100	21	07 LHF 028
101.6	18	94	120	26	07 LHF 037

## Special Diameter Lens Holders

Nominal Lens Diameter	Maximum Edge Thickness	Clear Aperture	$\phi D$	E	PRODUCT NUMBER
$\phi A$ (mm)	B (mm)	$\phi C$ (mm)	(mm)	(mm)	
15	10	12	35	16	07 LHF 003
18	12	15	36	18	07 LHF 004
20	12	17	40	18	07 LHF 005
23	12	19	40	18	07 LHF 006
27	12	23	55	18	07 LHF 008
32	12	28	55	18	07 LHF 011
35	12	31	55	18	07 LHF 012
42	12	37	65	18	07 LHF 015
45	12	40	65	18	07 LHF 016
47	12	42	65	18	07 LHF 017
52	15	47	75	21	07 LHF 022
58	15	53	75	21	07 LHF 023
60	15	55	80	21	07 LHF 024
63.5	15	56	85	21	07 LHF 025
66	15	59	85	21	07 LHF 026
70	15	63	90	21	07 LHF 027
80	15	73	100	21	07 LHF 029
82	15	75	100	21	07 LHF 033
90	15	83	108	21	07 LHF 034
95	15	88	114	21	07 LHF 035
100	18	93	120	26	07 LHF 036
105	18	97	125	26	07 LHF 038
120	18	112	140	26	07 LHF 039
130	20	122	150	26	07 LHF 044
140	20	132	160	26	07 LHF 045
145	20	137	170	26	07 LHF 046
153	20	145	175	26	07 LHF 047

## SPANNER WRENCH

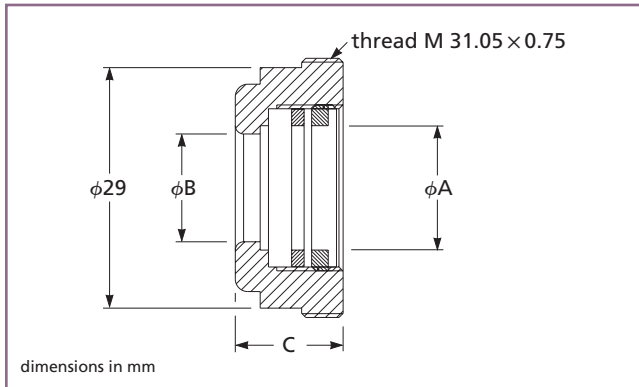
This wrench is used to tighten and loosen the retainer ring in Melles Griot lens, mirror, and polarizer holders.

PRODUCT NUMBER	
Spanner Wrench	07 AKT 007



## Small Lens Adaptors

- Lens adaptors are available to mount optics as small as 5.2 mm diameter.
- Designed to mount conveniently into the 30-mm diameter lens holder, 07 LHF 009 shown on the previous page.



07 LAD small lens adaptors

### Small Lens Adaptors

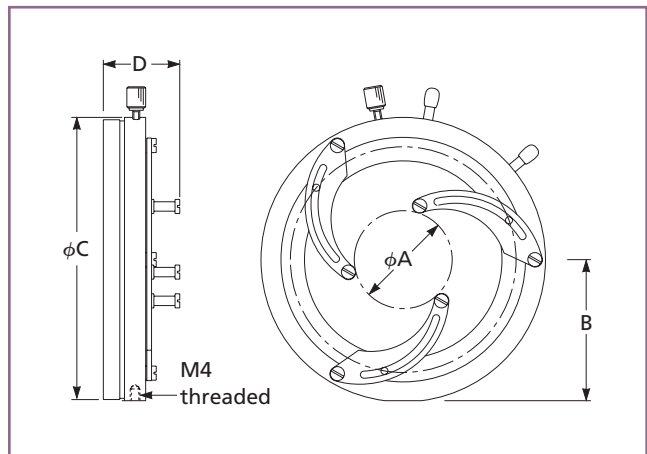
Lens Diameter $\phi A$ (mm)	Clear Aperture		PRODUCT NUMBER
	$\phi B$ (mm)	C (mm)	
5.2	3.7	12	07 LAD 001
6.3	4.8	12	07 LAD 002
6.7	5.2	12	07 LAD 003
7.5	6.0	12	07 LAD 004
8.5	7.0	12	07 LAD 005
10.0	8.3	12	07 LAD 006
15.0	13.0	18	07 LAD 007
20.0	17.0	18	07 LAD 008
25.4	22.0	18	07 LAD 009



## Self-Centering Lens Holders

Self-centering action is provided by a three-point manually levered mechanism. These are ideal for placing and removing lenses while maintaining optical alignment.

- These holders are suitable for lenses from 5 mm to 80 mm in diameter.
- A clamp screw locks the lens in any position.



07 LHJ self-centering lens holders

### Self-Centering Lens Holders

Lens Diameter $\phi A$ (mm)	Max. Edge Thickness (mm)	Lens Center			PRODUCT NUMBER
		B (mm)	$\phi C$ (mm)	D (mm)	
5-25.4	3	25	51	22	07 LHJ 221
25-80	9	60	121	33	07 LHJ 223